

YP3040 Pan-Tilt Motor

Operator-controlled field of view adjustment



- > Pan-tilt functionality for fixed cameras
- > Operator controlled movement
- > IP66-rated protection
- > For column and wall mounting
- > Easy installation

YP3040 Pan-Tilt Motor is an optional accessory for Axis fixed network cameras with pan-tilt support. It is ideal for use where a cost effective solution for fine adjustments to a camera's field of view is needed.

YP3040 Pan-Tilt Motor adds pan-tilt functionality to Axis fixed network cameras with pan-tilt support. The camera is connected directly to the Pan-Tilt Motor and can be panned and tilted easily by an operator.

YP3040 Pan-Tilt Motor can be used both indoors and outdoors. It is IP66-rated and recommended for use with AXIS T92A20, AXIS T92E05 and AXIS T92E20 Housings. The Pan-Tilt Motor is recommended for column mount-

ing and can also be installed on a wall with an optional YP3040 Wall Bracket. The recommended power supply is AXIS PS-24 Mains Adaptor.

YP3040 Pan-Tilt Motor is easy to install. It is pre-configured for use with AXIS Q1755-E and AXIS Q1765-LE PT Mount Network Cameras, AXIS Q1910-E or AXIS Q1931-E PT Mount and AXIS Q1932-E PT Mount Thermal Network Cameras.



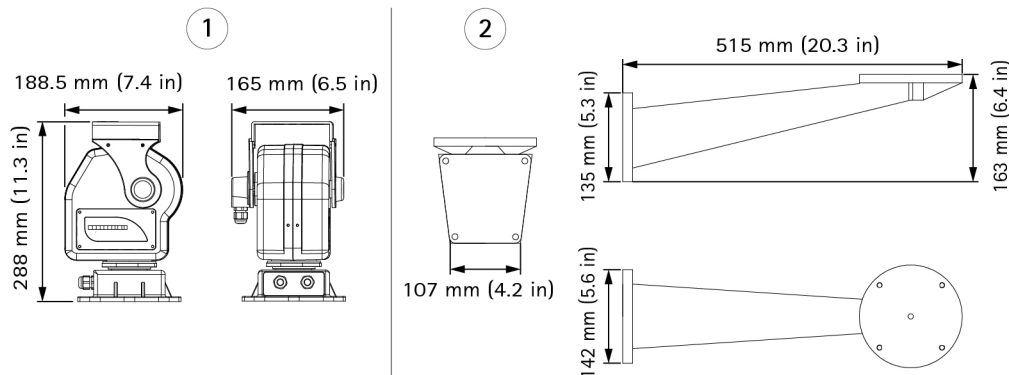
Technical Specifications - YP3040 Pan-Tilt Motor

Models	YP3040 Pan-Tilt Motor	Power	Consumption: 30 W Input: 24 V AC 50/60 Hz AXIS PS-24 Mains Adaptor recommended (not included)
General		Operating conditions	-20 °C to 65 °C (-4 °F to 149 °F)
Supported cameras	AXIS P13-E, AXIS Q16-E, AXIS Q1755-E and AXIS Q1765-LE PT Mount Network Cameras, AXIS Q1910-E, AXIS Q1922-E, AXIS Q1931-E PT Mount and AXIS Q1932-E PT Mount Thermal Network Cameras, AXIS T92A and AXIS T92E Housings	Approvals	IEC/EN 60529 IP66
Pan/Tilt/Zoom	Pan range 0° to 355° Tilt range 10° to -80° Pan speed 7.5°/s Tilt speed 6°/s Designed for operator control	Dimensions	288 x 165 x 188.5 mm (11 x 6 x 7 in)
Casing	Aluminum alloy Color: White NCS S 1002-B	Weight	4.2 kg (9 lb)
Supported protocols	Pelco-D	Included accessories	Mounting kit, Drill template, Installation guide
Connectors	1x RS485 port	Optional accessories	AXIS T8310 Video Surveillance Control Board, YP3040 Wall Bracket, AXIS T92A20 Housing, AXIS T92E05 Housing, AXIS T92E20 Housing, AXIS PS-24 Mains Adaptor
Mounting	Wall mounting Torque: 1.5 N m (1.1 lb ft) Maximum load: 8 kg (17.6 lb)	Warranty	Axis 1-year warranty, www.axis.com/warranty

More information is available at www.axis.com

Dimensions

- YP3040 Pan-Tilt Motor
- YP3040 Wall Bracket



Optional accessories

- YP3040 Wall Bracket
- Axis housings
- AXIS T8310 Video Surveillance Control Board
- AXIS PS-24 Mains Adaptor

